

AVIATRON INC.



PMA PRODUCT CATALOG

AIR TURBINE STARTER

PN 3505953-2 (4120T06P02)

PN 3505953-4 (4120T06P04)

PN 3505953-6 (4120T06P10)

www.aviatron.com

AIR TURBINE STARTER

PMA PRODUCT CATALOG • 2022

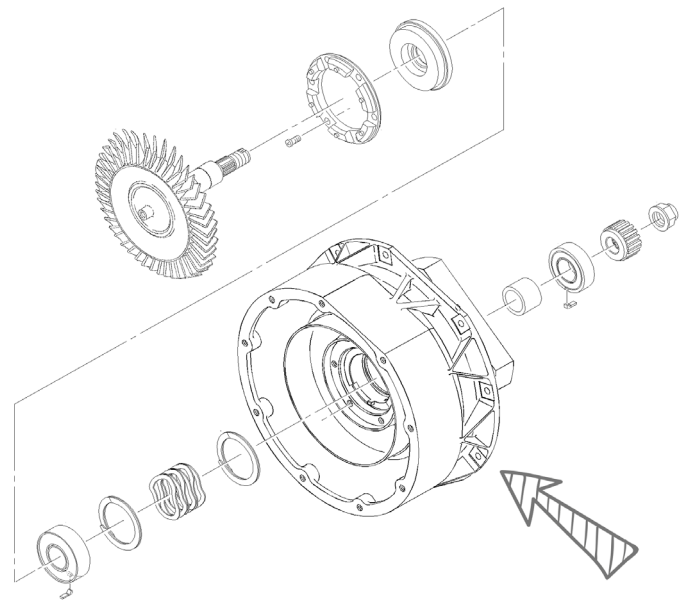
X 3505953-2 THRU 3505953-7

X 3505934-3 THRU 3505934-14



X = Applicability

EXHAUST CARRIER HOUSING



PMA PN
AVUS3504749-1

OEM PN
3504749-1

DRAMATIC COST SAVINGS
FROM OEM

100%

CUSTOMERS
SATISFACTION

Q

QUALITY

& RELIABILITY

I

INVENTORY

& CONTROL

P

PRICING

& DELIVERY

AIR TURBINE STARTER

PMA PRODUCT CATALOG • 2022

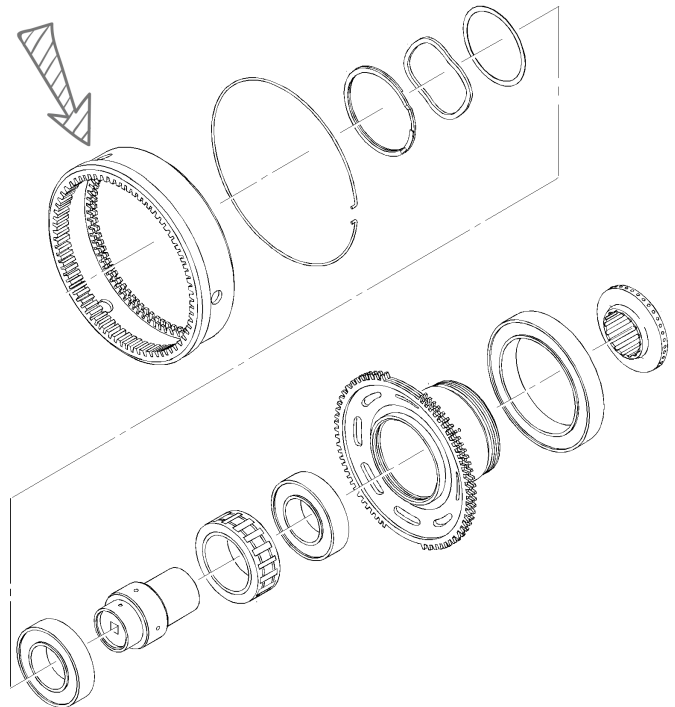
X 3505953-2 THRU 3505953-7

X 3505934-3 THRU 3505934-14



X = Applicability

INTERNAL SPUR GEAR



PMA PN
AVUS3504758-1

OEM PN
3504758-1

DRAMATIC COST SAVINGS
FROM OEM

100%
CUSTOMERS
SATISFACTION

Q

QUALITY

& RELIABILITY

I

INVENTORY

& CONTROL

P

PRICING

& DELIVERY

AIR TURBINE STARTER

PMA PRODUCT CATALOG • 2022

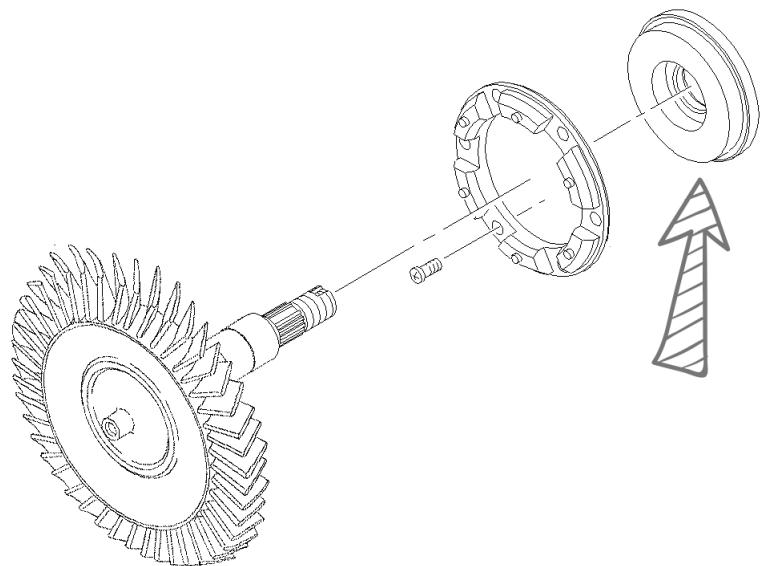
X 3505953-2 THRU 3505953-7

X 3505934-3 THRU 3505934-14



X = Applicability

TURBINE SEAL



PMA PN
AVUS3507083-1

OEM PN
3507083-1

DRAMATIC COST SAVINGS
FROM OEM

100%

CUSTOMERS
SATISFACTION

Q

QUALITY

& RELIABILITY

I

INVENTORY

& CONTROL

P

PRICING

& DELIVERY

AIR TURBINE STARTER

PMA PRODUCT CATALOG • 2022

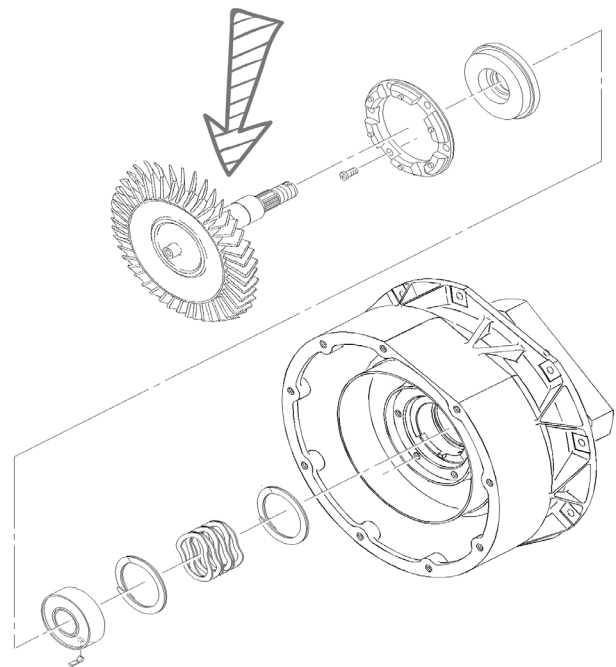
X 3505953-2 THRU 3505953-7

X 3505934-3 THRU 3505934-5



X = Applicability

WHEEL TURBINE



PMA PN
AVUS3507028-1

OEM PN
3507028-1

DRAMATIC COST SAVINGS
FROM OEM

100%

CUSTOMERS
SATISFACTION

Q

QUALITY

& RELIABILITY

I

INVENTORY

& CONTROL

P

PRICING

& DELIVERY

AIR TURBINE STARTER

PMA PRODUCT CATALOG • 2022

X 3505953-4 THRU 3505953-7

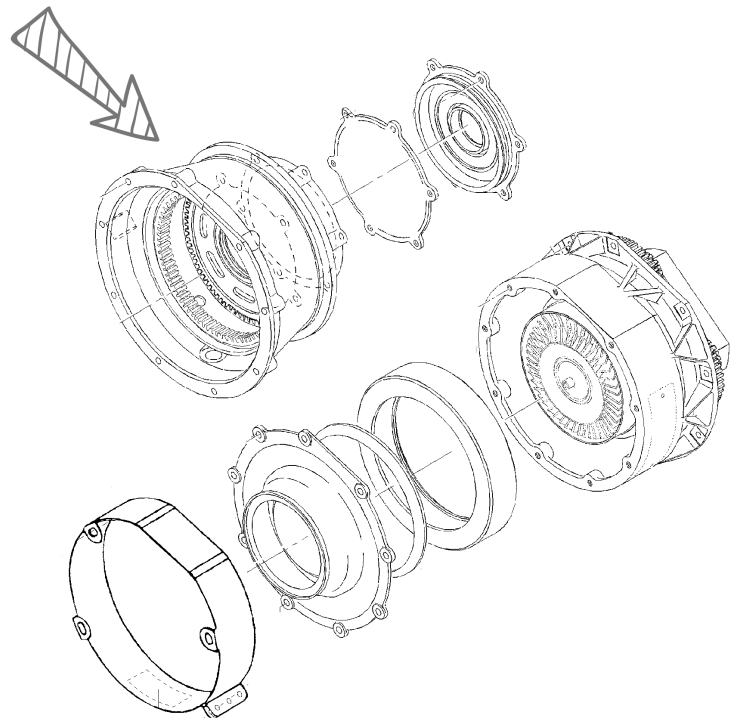


X = Applicability

GEAR HOUSING



PMA PN
AVUS3507664-1



OEM PN
3507664-1

DRAMATIC COST SAVINGS
FROM OEM

100%

CUSTOMERS
SATISFACTION

Q

QUALITY

& RELIABILITY

I

INVENTORY

& CONTROL

P

PRICING

& DELIVERY

AIR TURBINE STARTER

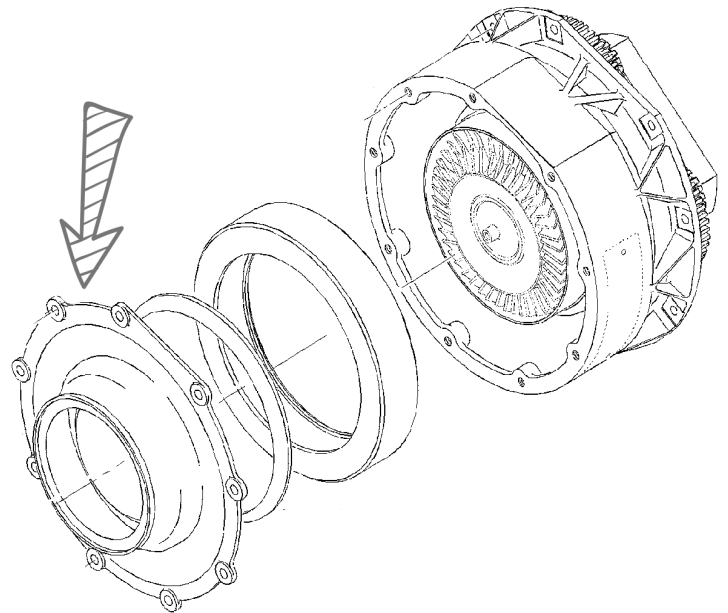
PMA PRODUCT CATALOG • 2022

X 3505953-2 / -4 / -6



X = Applicability

INLET HOUSING



PMA PN
AVUS3507029-2

OEM PN
3507029-2

DRAMATIC COST SAVINGS
FROM OEM

100%

CUSTOMERS
SATISFACTION

Q

QUALITY

& RELIABILITY

I

INVENTORY

& CONTROL

P

PRICING

& DELIVERY

AIR TURBINE STARTER

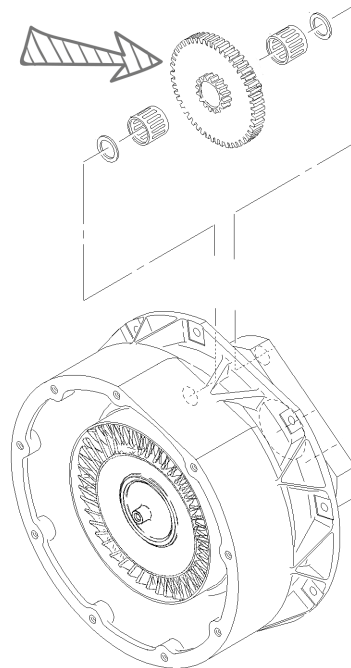
PMA PRODUCT CATALOG • 2022

X 3505953-4 THRU 3505953-7



X = Applicability

MATCHED GEAR SET



PMA PN
AVUS3507494-2

OEM PN
3507494-2

DRAMATIC COST SAVINGS
FROM OEM

100%

CUSTOMERS
SATISFACTION

Q

QUALITY

& RELIABILITY

I

INVENTORY

& CONTROL

P

PRICING

& DELIVERY

AIR TURBINE STARTER

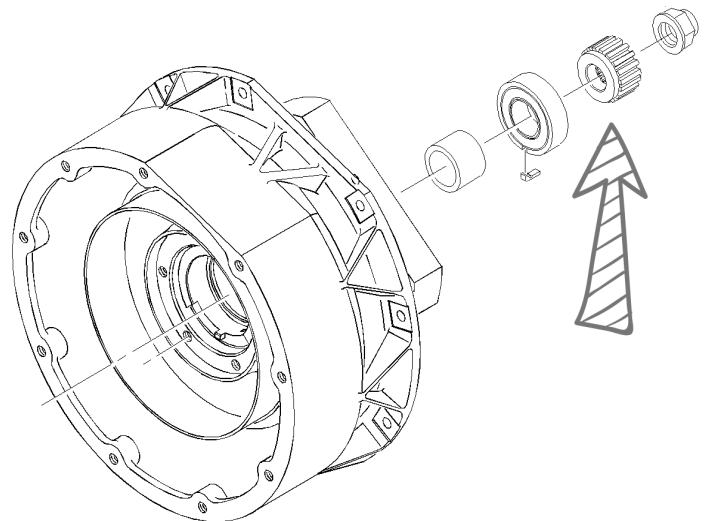
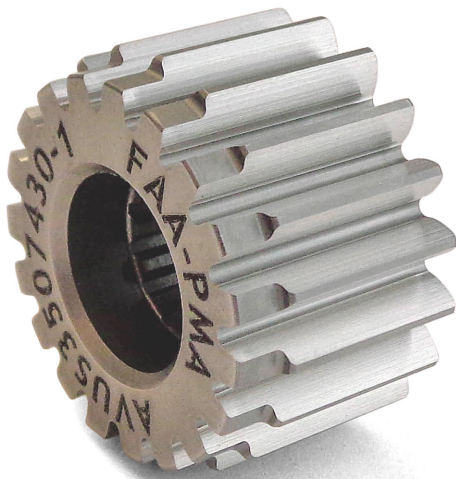
PMA PRODUCT CATALOG • 2022

X 3505953-2 THRU 3505953-7



X = Applicability

SPUR PINION GEAR



PMA PN
AVUS3507430-1

OEM PN
3507430-1

DRAMATIC COST SAVINGS
FROM OEM

100%

CUSTOMERS
SATISFACTION

Q

QUALITY

& RELIABILITY

I

INVENTORY

& CONTROL

P

PRICING

& DELIVERY

AIR TURBINE STARTER

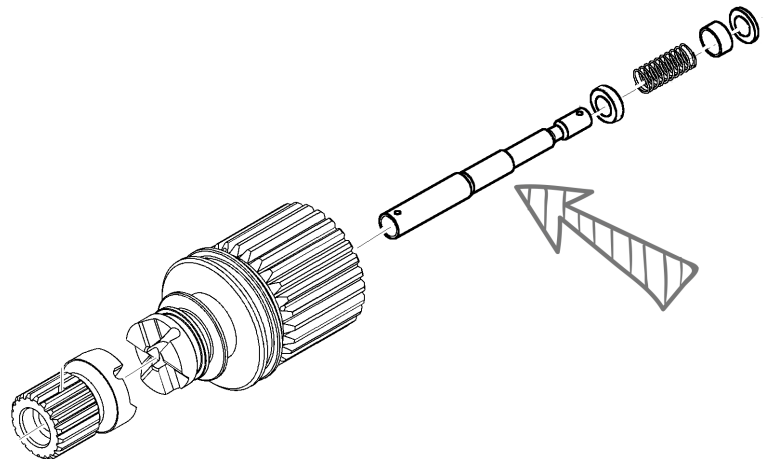
PMA PRODUCT CATALOG • 2022

X 3505953-2 THRU 3505953-7



X = Applicability

SHEAR PIN



PMA PN
AVUS3507312-1

OEM PN
3507312-1

DRAMATIC COST SAVINGS
FROM OEM

100%
CUSTOMERS
SATISFACTION

Q

QUALITY

& RELIABILITY

I

INVENTORY

& CONTROL

P

PRICING

& DELIVERY

AIR TURBINE STARTER

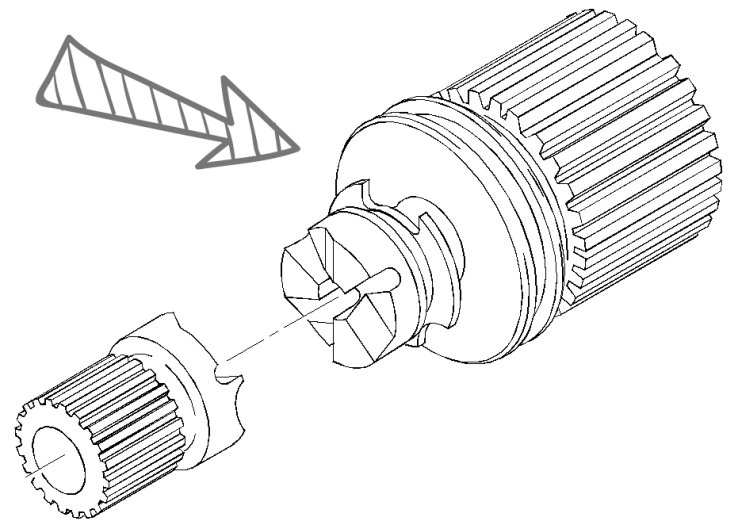
PMA PRODUCT CATALOG • 2022

X 3505953-2 THRU 3505953-5



X = Applicability

OUTPUT SHAFT



PMA PN
AVUS3504769-1

OEM PN
3504769-1

DRAMATIC COST SAVINGS
FROM OEM

100%
CUSTOMERS
SATISFACTION

Q

QUALITY

& RELIABILITY

I

INVENTORY

& CONTROL

P

PRICING

& DELIVERY

AIR TURBINE STARTER

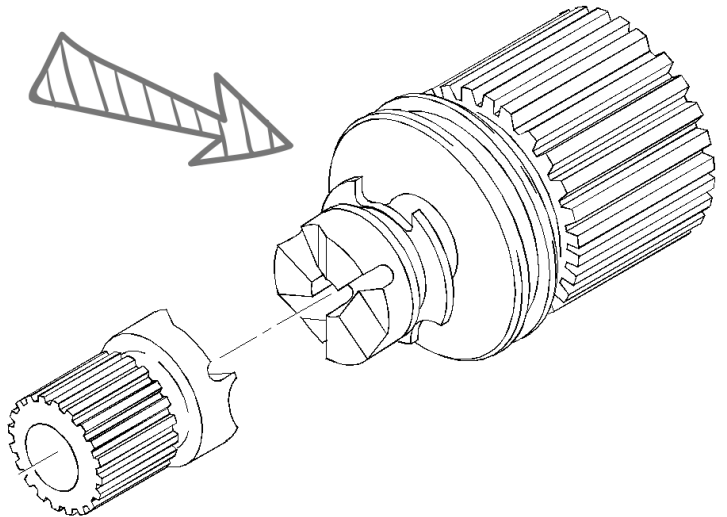
PMA PRODUCT CATALOG • 2022

X 3505953-6 THRU 3505953-7



X = Applicability

OUTPUT SHAFT



PMA PN
AVUS63508553-1

OEM PN
63508553-1

DRAMATIC COST SAVINGS
FROM OEM

100%

CUSTOMERS
SATISFACTION

Q

QUALITY

& RELIABILITY

I

INVENTORY

& CONTROL

P

PRICING

& DELIVERY

AIR TURBINE STARTER

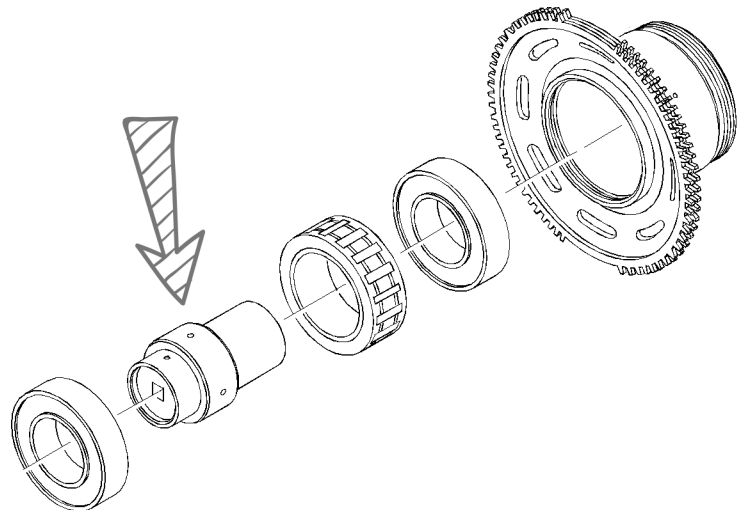
PMA PRODUCT CATALOG • 2022

X 3505953-6 THRU 3505953-7



X = Applicability

CLUTCH RACE



PMA PN
AVUS63508504-1

OEM PN
63508504-1

DRAMATIC COST SAVINGS
FROM OEM

100%

CUSTOMERS
SATISFACTION

Q

QUALITY

& RELIABILITY

I

INVENTORY

& CONTROL

P

PRICING

& DELIVERY

AIR TURBINE STARTER

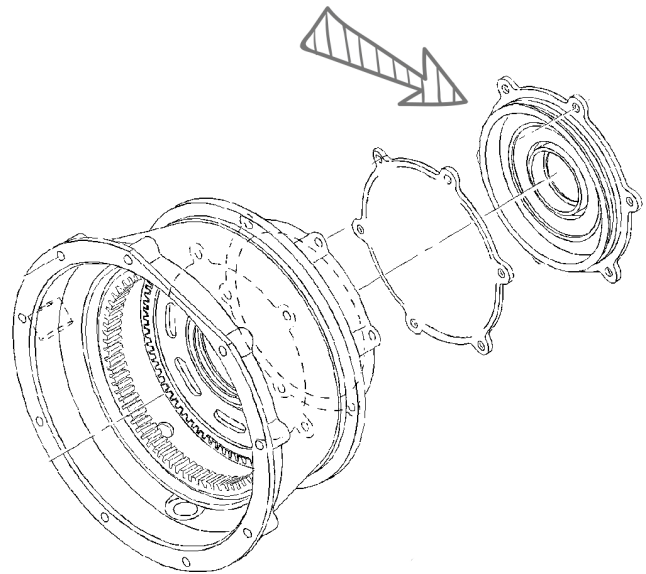
PMA PRODUCT CATALOG • 2022

X 3505953-1 THRU 3505953-7



X = Applicability

HOUSING SEAL



PMA PN
AVUS3504754-1

OEM PN
3504754-1

DRAMATIC COST SAVINGS
FROM OEM

100%

CUSTOMERS
SATISFACTION

Q

QUALITY

& RELIABILITY

I

INVENTORY

& CONTROL

P

PRICING

& DELIVERY

AIR TURBINE STARTER

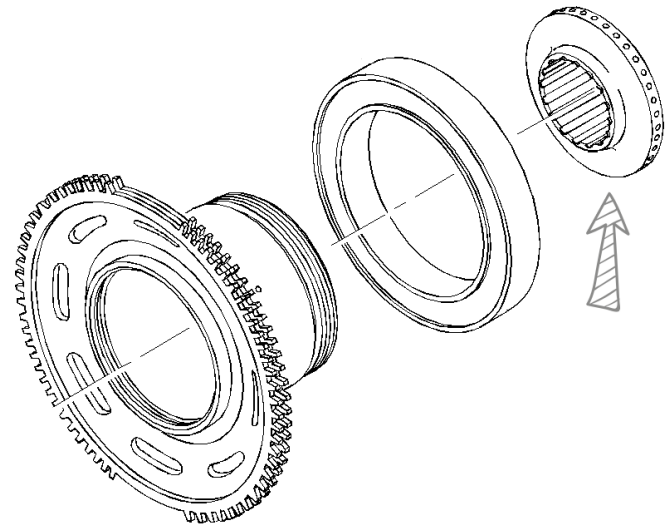
PMA PRODUCT CATALOG • 2022

X 3505953-1 THRU 3505953-7



X = Applicability

ROTOR SEAL



PMA PN
AVUS3504767-1

OEM PN
3504767-1

DRAMATIC COST SAVINGS
FROM OEM

100%
CUSTOMERS
SATISFACTION

Q

QUALITY

& RELIABILITY

I

INVENTORY

& CONTROL

P

PRICING

& DELIVERY

AIR TURBINE STARTER

PMA PRODUCT CATALOG • 2022

3505953-2

3505953-3

3505953-4

3505953-5

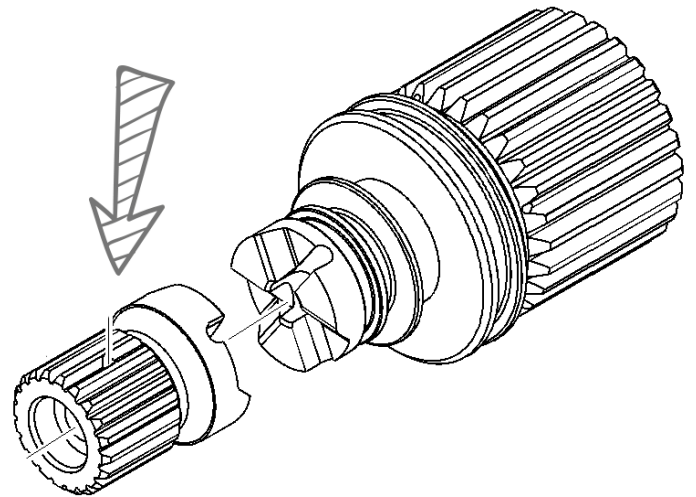
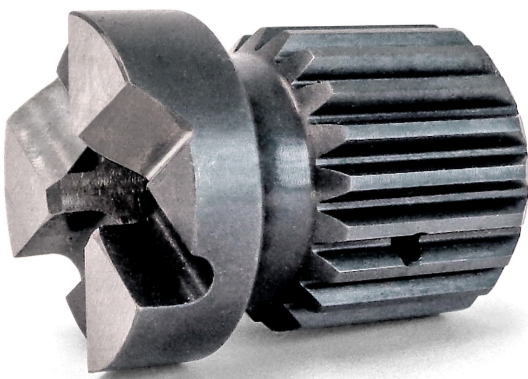
3505953-6

3505953-7



X = Applicability

DECOUPLER SHAFT



PMA PN
AVUS3507407-1

OEM PN
3507407-1

DRAMATIC COST SAVINGS
FROM OEM

100%

CUSTOMERS
SATISFACTION

Q

QUALITY

& RELIABILITY

I

INVENTORY

& CONTROL

P

PRICING

& DELIVERY

AIR TURBINE STARTER

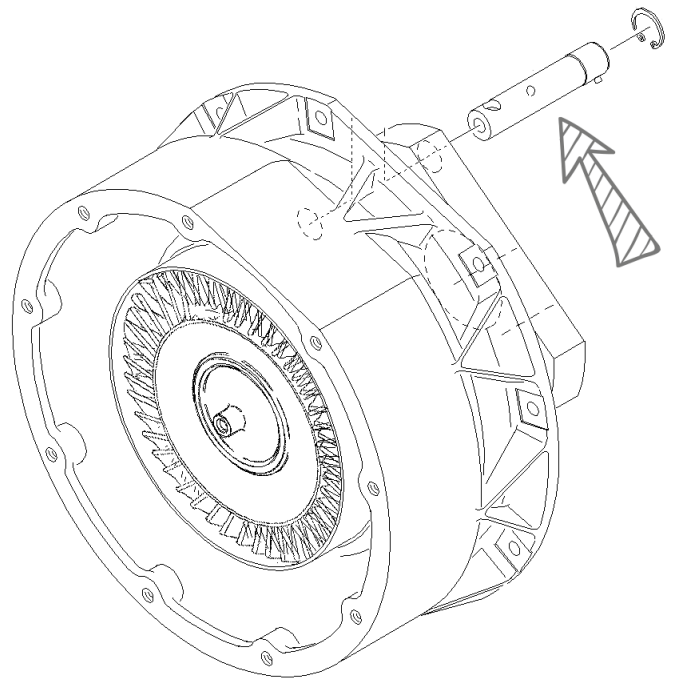
PMA PRODUCT CATALOG • 2022

X 3505953-4 THRU 3505953-7



X = Applicability

SHAFT GEAR



PMA PN
AVUS3504769-2

OEM PN
3504769-2

DRAMATIC COST SAVINGS
FROM OEM

100%

CUSTOMERS
SATISFACTION

Q

QUALITY

& RELIABILITY

I

INVENTORY

& CONTROL

P

PRICING

& DELIVERY

AIR TURBINE STARTER

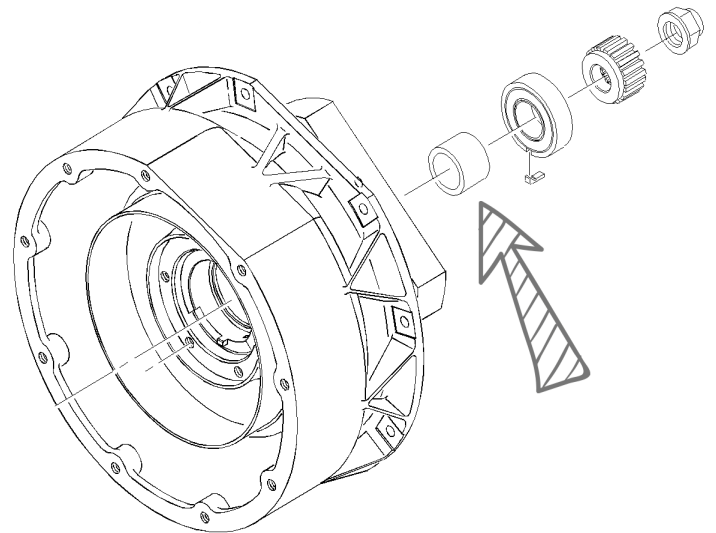
PMA PRODUCT CATALOG • 2022

X 3505953-1 THRU 3505953-7



X = Applicability

SLEEVE BEARING SPACER



PMA PN
AVUS3504775-1

OEM PN
3504775-1

DRAMATIC COST SAVINGS
FROM OEM

100%

CUSTOMERS
SATISFACTION

Q

QUALITY

& RELIABILITY

I

INVENTORY

& CONTROL

P

PRICING

& DELIVERY

AIR TURBINE STARTER

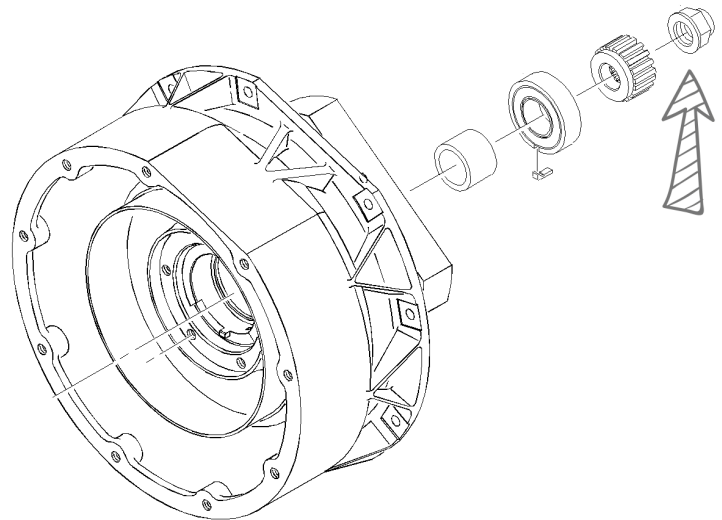
PMA PRODUCT CATALOG • 2022

X 3505953-2 THRU 3505953-7



X = Applicability

NUT



PMA PN
AVUS3504772-1

OEM PN
3504772-1

DRAMATIC COST SAVINGS
FROM OEM

100%

CUSTOMERS
SATISFACTION

Q

QUALITY

& RELIABILITY

I

INVENTORY

& CONTROL

P

PRICING

& DELIVERY

AIR TURBINE STARTER

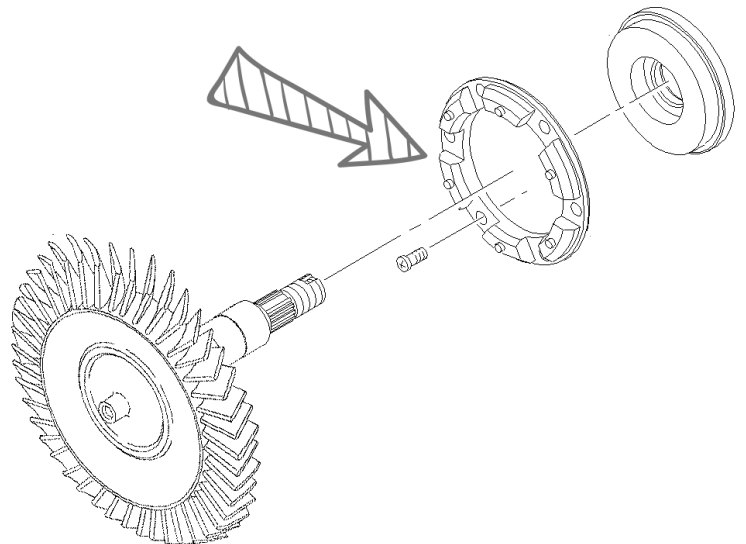
PMA PRODUCT CATALOG • 2022

X 3505953-1 THRU 3505953-7



X = Applicability

CUTTER RING



PMA PN
AVUS3504765-1

OEM PN
3504765-1

DRAMATIC COST SAVINGS
FROM OEM

100%

CUSTOMERS
SATISFACTION

Q

QUALITY

& RELIABILITY

I

INVENTORY

& CONTROL

P

PRICING

& DELIVERY

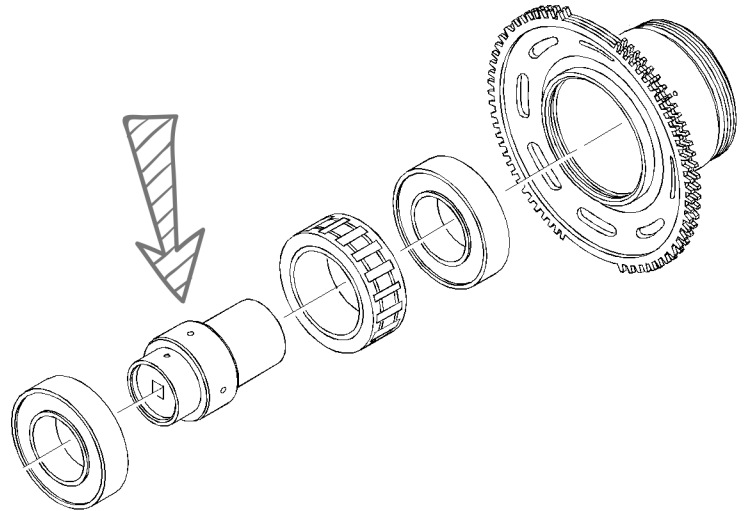
AIR TURBINE STARTER

PMA PRODUCT CATALOG • 2022

X 3505953-2 / -4 / -5



CLUTCH RACE



PMA PN
AVUS3504768-2

OEM PN
3504768-2

DRAMATIC COST SAVINGS
FROM OEM

100%

CUSTOMERS
SATISFACTION

Q

QUALITY

& RELIABILITY

I

INVENTORY

& CONTROL

P

PRICING

& DELIVERY

AIR TURBINE STARTER

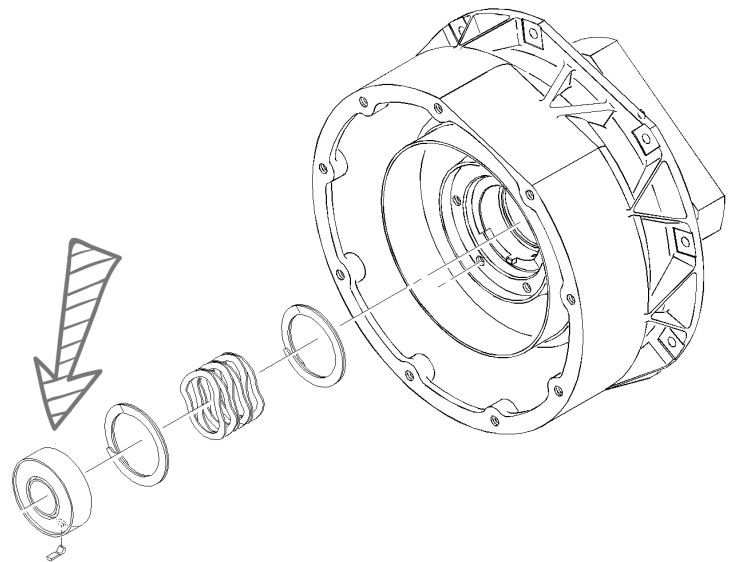
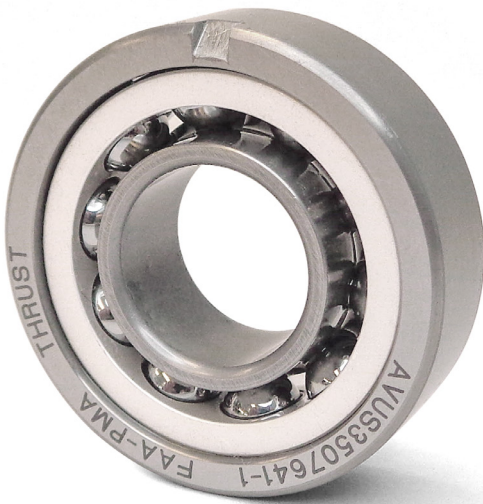
PMA PRODUCT CATALOG • 2022

X 3505953-4 THRU 3505953-7



X = Applicability

ANNULAR BALL BEARING



PMA PN
AVUS3507641-1

OEM PN
3507641-1

DRAMATIC COST SAVINGS
FROM OEM

100%

CUSTOMERS
SATISFACTION

Q

QUALITY

& RELIABILITY

I

INVENTORY

& CONTROL

P

PRICING

& DELIVERY

AIR TURBINE STARTER

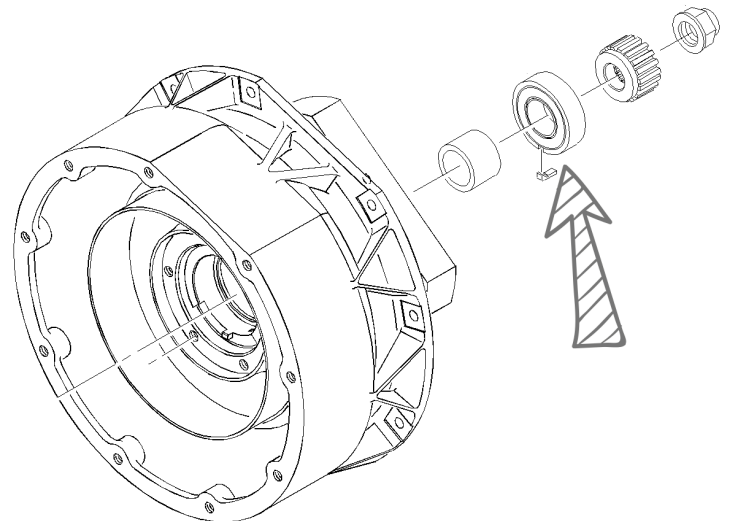
PMA PRODUCT CATALOG • 2022

X 3505953-4 THRU 3505953-7



X = Applicability

ANNULAR BALL BEARING



PMA PN
AVUS3507656-1

OEM PN
3507656-1

DRAMATIC COST SAVINGS
FROM OEM

100%

CUSTOMERS
SATISFACTION

Q

QUALITY

& RELIABILITY

I

INVENTORY

& CONTROL

P

PRICING

& DELIVERY

AIR TURBINE STARTER

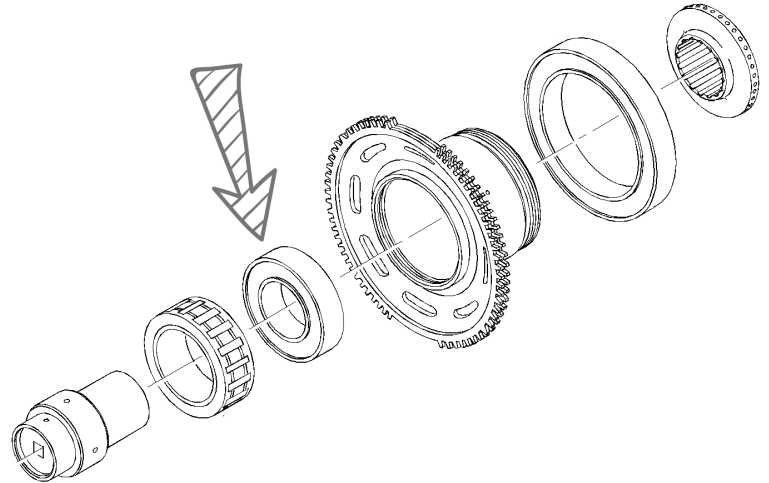
PMA PRODUCT CATALOG • 2022

X 3505953-2 THRU 3505953-7



X = Applicability

ANNULAR BALL BEARING



PMA PN
AVUS3502572-1

OEM PN
3502572-1

DRAMATIC COST SAVINGS
FROM OEM

100%
CUSTOMERS
SATISFACTION

Q

QUALITY

& RELIABILITY

I

INVENTORY

& CONTROL

P

PRICING

& DELIVERY