



PMA PRODUCT CATALOG

AIR CYCLE MACHINE

PN 2206400-2

BOEING 737NG SERIES

www.aviatron.com

AIR CYCLE MACHINE

PMA PRODUCT CATALOG • 2022

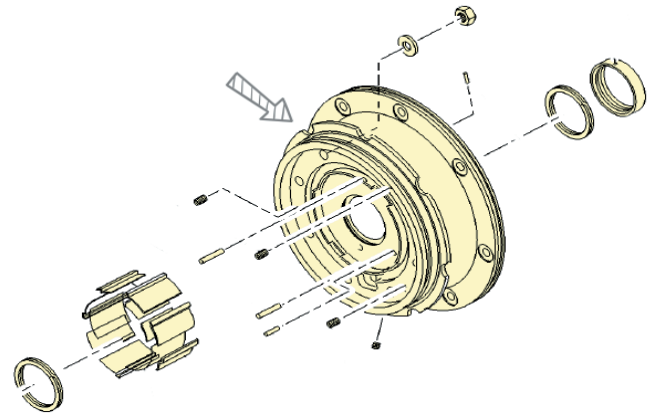
BOEING 737NG SERIES

X 2206400-1 THRU 2206400-2



X = Applicability

BEARING SUPPORT



PMA PN
AVUS2206442-5

OEM PN
2206442-5

DRAMATIC COST SAVINGS
FROM OEM

100%

CUSTOMERS
SATISFACTION

Q

QUALITY

& RELIABILITY

I

INVENTORY

& CONTROL

P

PRICING

& DELIVERY

AIR CYCLE MACHINE

PMA PRODUCT CATALOG • 2022

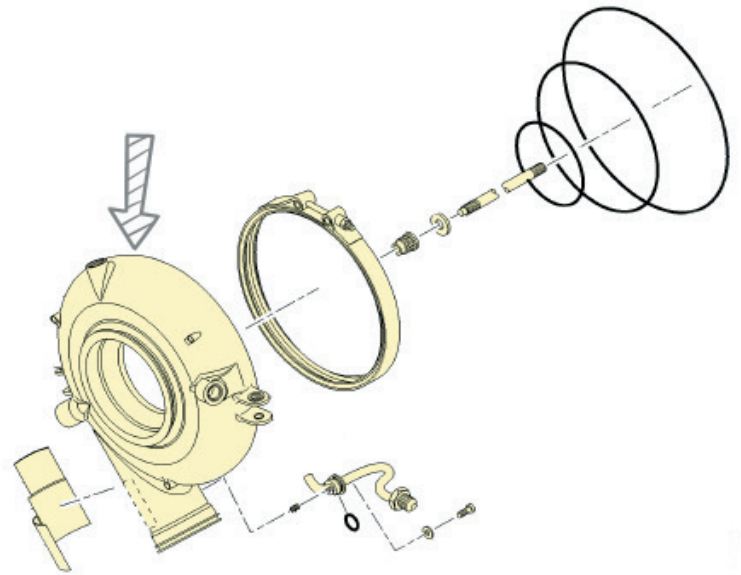
BOEING 737NG SERIES

X 2206400-1 THRU 2206400-2



X = Applicability

TURBINE TOURUS



PMA PN
AVUS2206409-5

OEM PN
2206409-5

DRAMATIC COST SAVINGS
FROM OEM

100%

CUSTOMERS
SATISFACTION

Q

QUALITY

& RELIABILITY

I

INVENTORY

& CONTROL

P

PRICING

& DELIVERY

AIR CYCLE MACHINE

PMA PRODUCT CATALOG • 2022

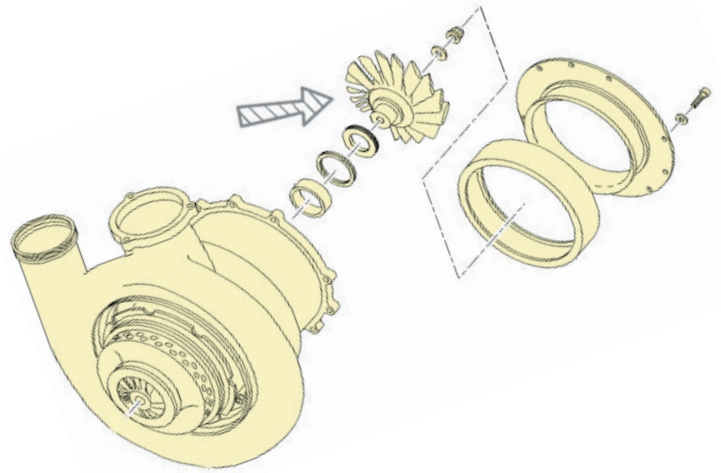
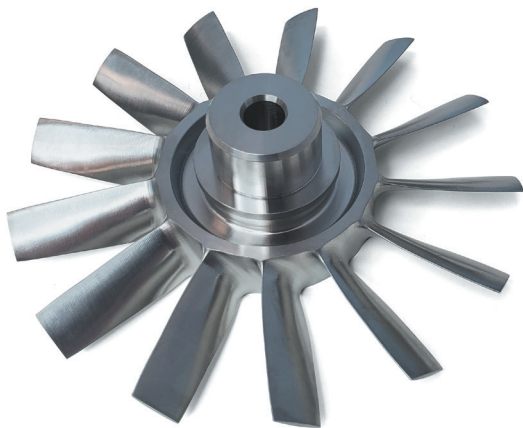
BOEING 737NG SERIES

X 2206400-1 THRU 2206400-2



X = Applicability

COOLING FAN



PMA PN
AVUS2206469-1

OEM PN
2206469-1

DRAMATIC COST SAVINGS
FROM OEM

100%

CUSTOMERS
SATISFACTION

Q

QUALITY

& RELIABILITY

I

INVENTORY

& CONTROL

P

PRICING

& DELIVERY

AIR CYCLE MACHINE

PMA PRODUCT CATALOG • 2022

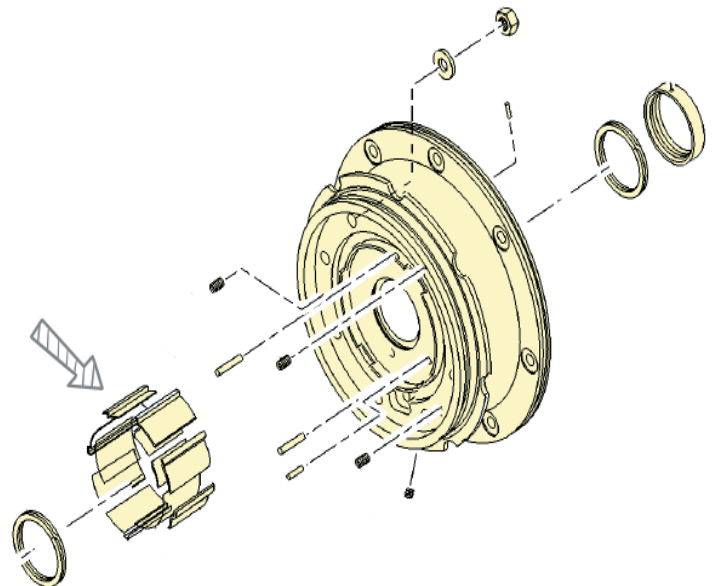
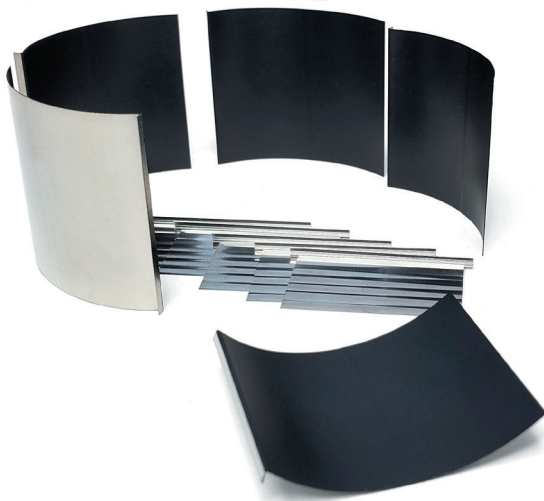
BOEING 737NG SERIES

X 2206400-1 THRU 2206400-2



X = Applicability

JOURNAL BEARINGS



PMA PN
AVUS2207347-2

OEM PN
2207347-2

DRAMATIC COST SAVINGS
FROM OEM

100%

CUSTOMERS
SATISFACTION

Q

QUALITY

& RELIABILITY

I

INVENTORY

& CONTROL

P

PRICING

& DELIVERY

AIR CYCLE MACHINE

PMA PRODUCT CATALOG • 2022

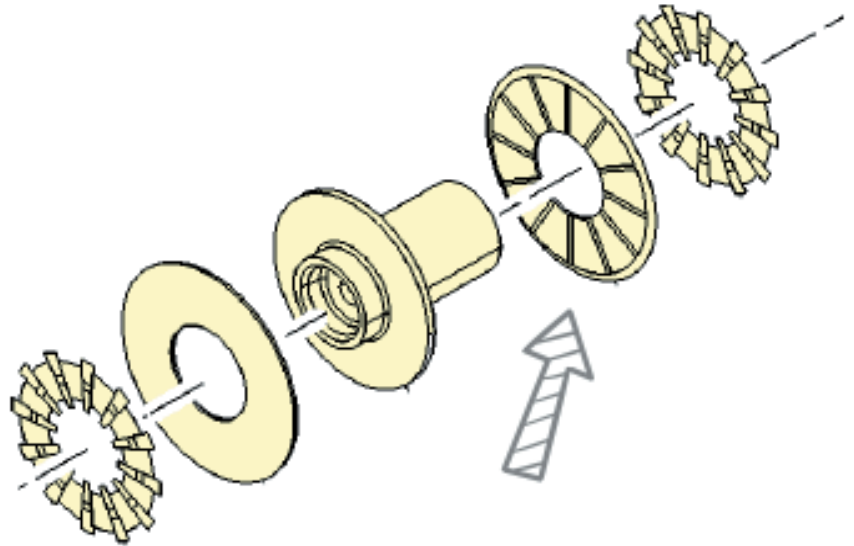
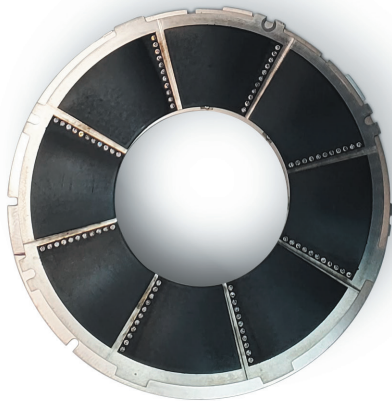
BOEING 737NG SERIES

X 2206400-1 THRU 2206400-2



X = Applicability

THRUST BEARINGS CW



PMA PN
AVUS2207333-1

OEM PN
2207333-1

DRAMATIC COST SAVINGS
FROM OEM

100%

CUSTOMERS
SATISFACTION

Q

QUALITY

& RELIABILITY

I

INVENTORY

& CONTROL

P

PRICING

& DELIVERY

AIR CYCLE MACHINE

PMA PRODUCT CATALOG • 2022

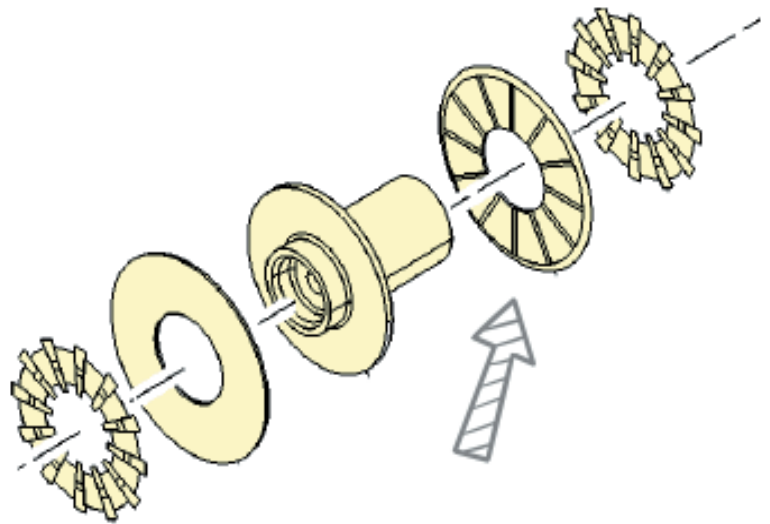
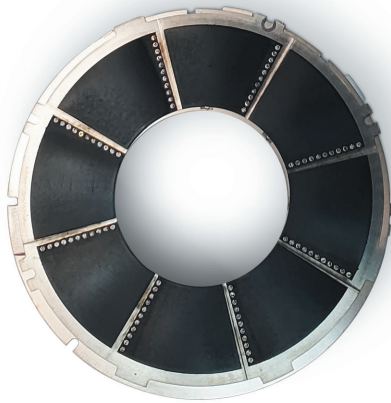
BOEING 737NG SERIES

X 2206400-1 THRU 2206400-2



X = Applicability

THRUST BEARINGS CCW



PMA PN
AVUS2207333-2

OEM PN
2207333-2

DRAMATIC COST SAVINGS
FROM OEM

100%

CUSTOMERS
SATISFACTION

Q

QUALITY

& RELIABILITY

I

INVENTORY

& CONTROL

P

PRICING

& DELIVERY

AIR CYCLE MACHINE

PMA PRODUCT CATALOG • 2022

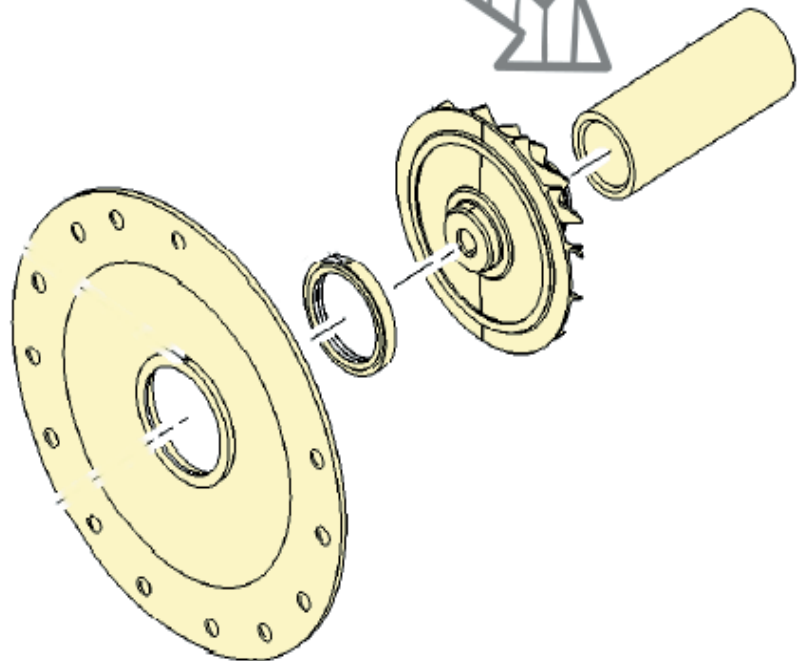
BOEING 737NG SERIES

X 2206400-1 THRU 2206400-2



X = Applicability

FAN SHAFT



PMA PN
AVUS2205774-1

OEM PN
2205774-1

DRAMATIC COST SAVINGS
FROM OEM

100%
CUSTOMERS
SATISFACTION

Q

QUALITY

& RELIABILITY

I

INVENTORY

& CONTROL

P

PRICING

& DELIVERY

AIR CYCLE MACHINE

PMA PRODUCT CATALOG • 2022

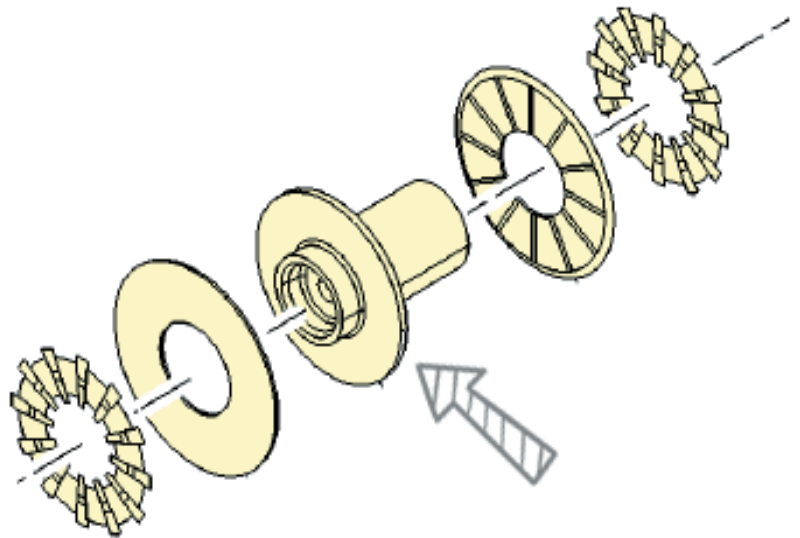
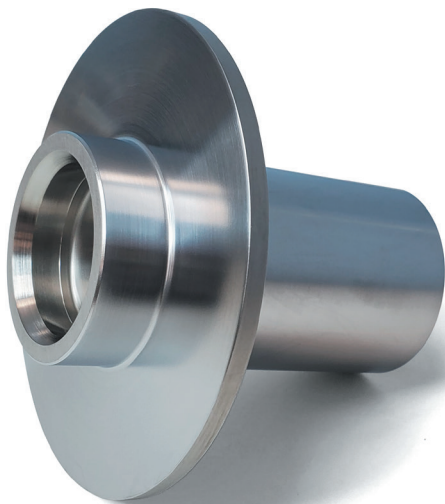
BOEING 737NG SERIES

X 2206400-1 THRU 2206400-2



X = Applicability

SHAFT



PMA PN
AVUS2205772-1

OEM PN
2205772-1

DRAMATIC COST SAVINGS
FROM OEM

100%
CUSTOMERS
SATISFACTION

Q

QUALITY

& RELIABILITY

I

INVENTORY

& CONTROL

P

PRICING

& DELIVERY

AIR CYCLE MACHINE

PMA PRODUCT CATALOG • 2022

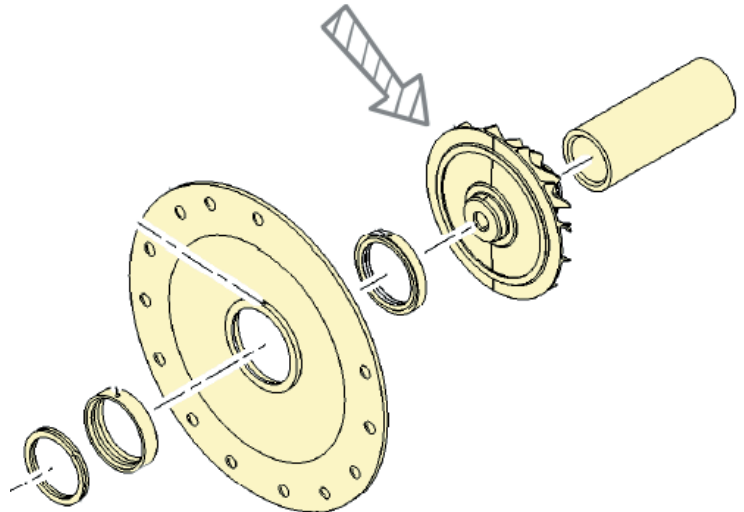
BOEING 737NG SERIES

X 2206400-1 THRU 2206400-2



X = Applicability

COMPRESSOR IMPELLER



PMA PN
AVUS2206405-1

OEM PN
2206405-1

DRAMATIC COST SAVINGS
FROM OEM

100%
CUSTOMERS
SATISFACTION

Q

QUALITY

& RELIABILITY

I

INVENTORY

& CONTROL

P

PRICING

& DELIVERY

AIR CYCLE MACHINE

PMA PRODUCT CATALOG • 2022

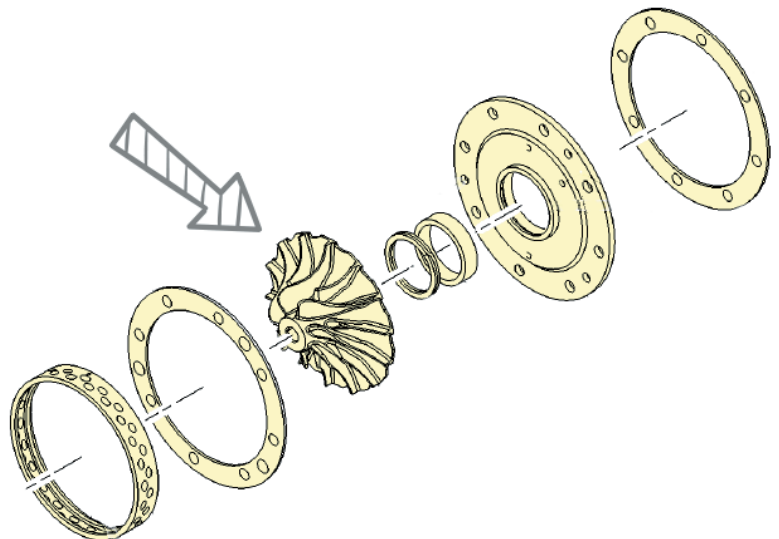
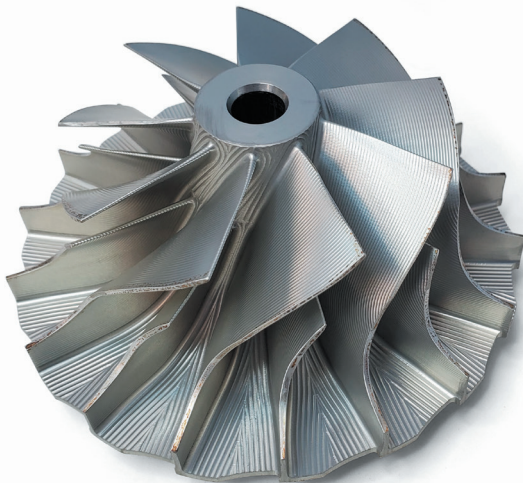
BOEING 737NG SERIES

X 2206400-1 THRU 2206400-2



X = Applicability

TURBINE WHEEL



PMA PN
AVUS2206408-1

OEM PN
2206408-1

DRAMATIC COST SAVINGS
FROM OEM

100%

CUSTOMERS
SATISFACTION

Q

QUALITY

& RELIABILITY

I

INVENTORY

& CONTROL

P

PRICING

& DELIVERY

AIR CYCLE MACHINE

PMA PRODUCT CATALOG • 2022

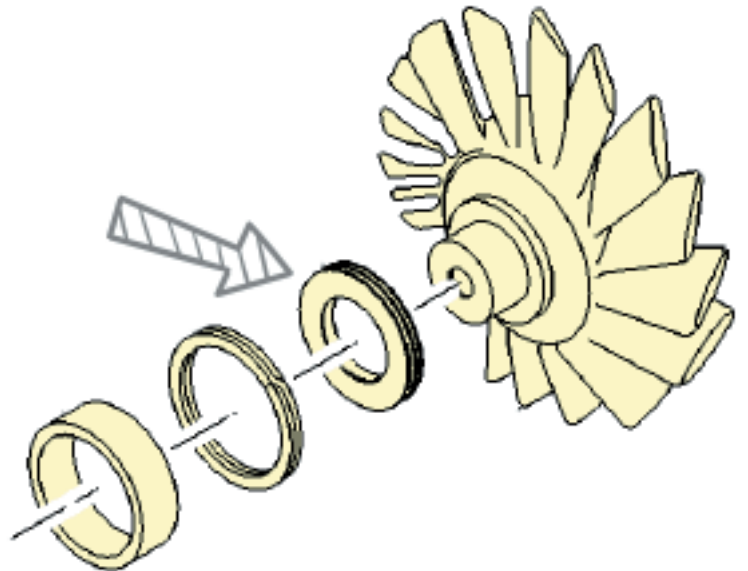
BOEING 737NG SERIES

X 2206400-1 THRU 2206400-2



X = Applicability

ROTOR SEAL FAN END



PMA PN
AVUS2205775-1

OEM PN
2205775-1

DRAMATIC COST SAVINGS
FROM OEM

100%

CUSTOMERS
SATISFACTION

Q

QUALITY

& RELIABILITY

I

INVENTORY

& CONTROL

P

PRICING

& DELIVERY

AIR CYCLE MACHINE

PMA PRODUCT CATALOG • 2022

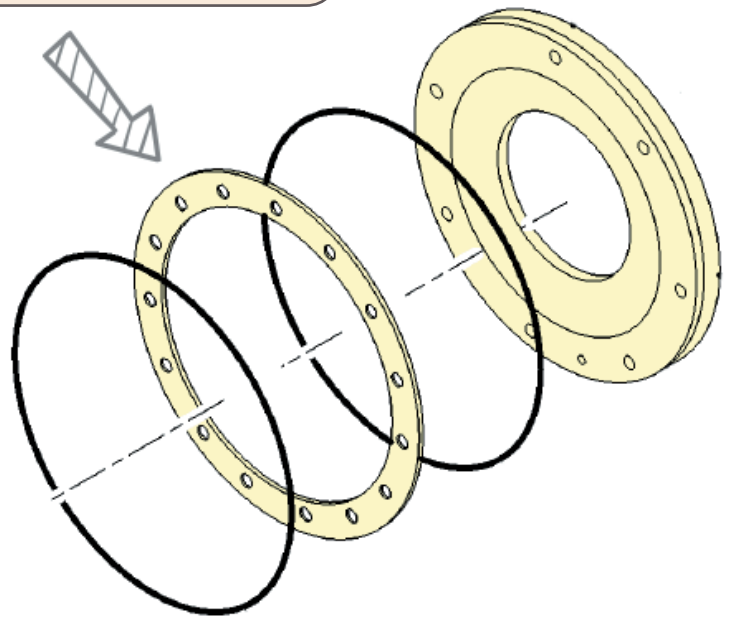
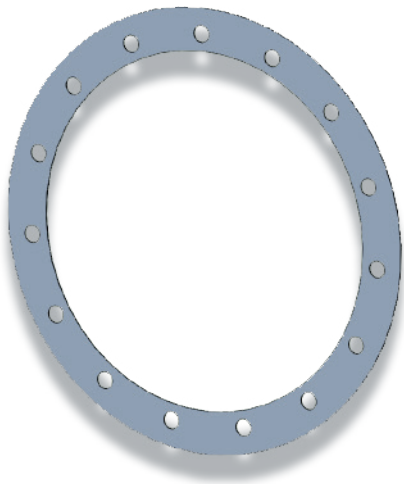
BOEING 737NG SERIES

X 2206400-1 THRU 2206400-2



X = Applicability

COMPRESSOR SHIM



PMA PN

AVUS2205785-1
AVUS2205785-2
AVUS2205785-3
AVUS2205785-4

OEM PN

2205785-1
2205785-2
2205785-3
2205785-4

DRAMATIC COST SAVINGS
FROM OEM

100%

CUSTOMERS
SATISFACTION

Q

QUALITY

& RELIABILITY

I

INVENTORY

& CONTROL

P

PRICING

& DELIVERY

AIR CYCLE MACHINE

PMA PRODUCT CATALOG • 2022

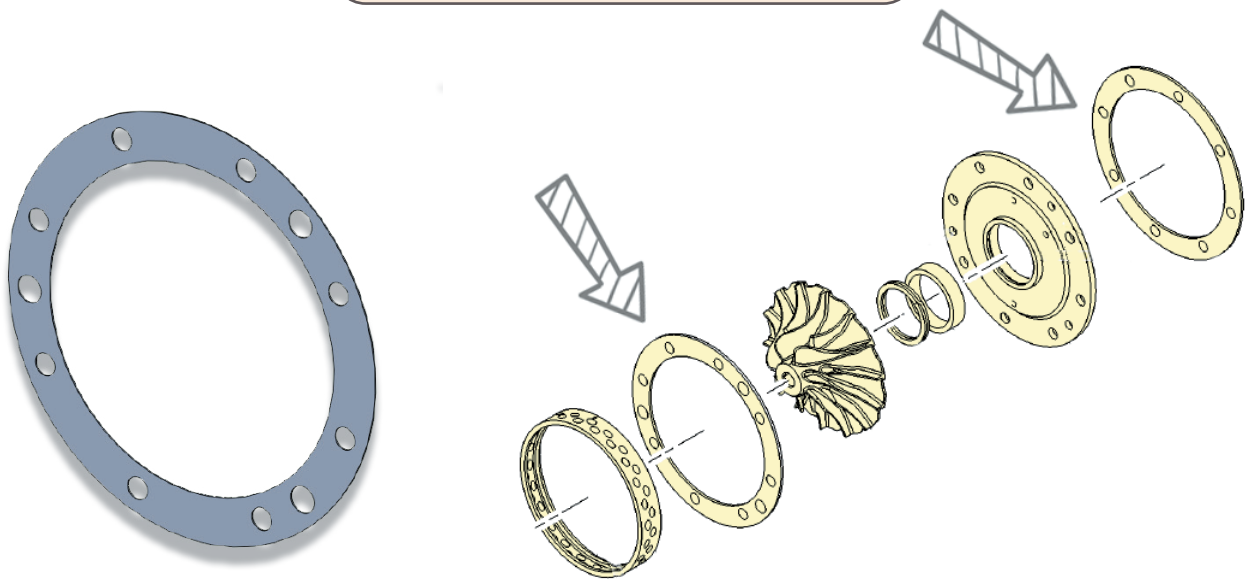
BOEING 737NG SERIES

X 2206400-1 THRU 2206400-2



X = Applicability

TURBINE SHIM



PMA PN

AVUS2205834-1
AVUS2205834-2
AVUS2205834-3
AVUS2205834-4

OEM PN

2205834-1
2205834-2
2205834-3
2205834-4

DRAMATIC COST SAVINGS
FROM OEM

100%

CUSTOMERS
SATISFACTION

Q

QUALITY

& RELIABILITY

I

INVENTORY

& CONTROL

P

PRICING

& DELIVERY

AIR CYCLE MACHINE

PMA PRODUCT CATALOG • 2022

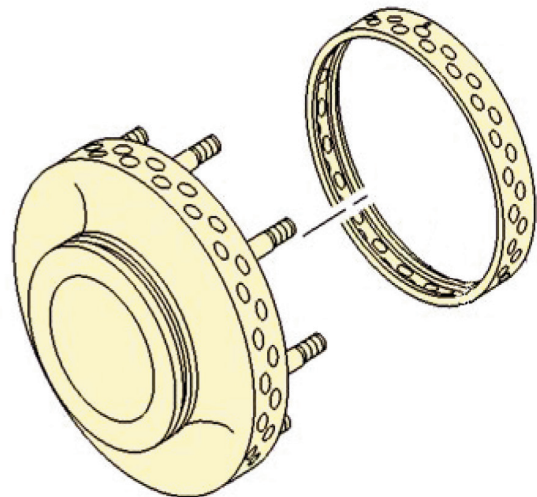
BOEING 737NG SERIES

X 2206400-1 THRU 2206400-2



X = Applicability

NOZZLE ASSEMBLY



PMA PN
AVUS2206407-1

OEM PN
2206407-1

DRAMATIC COST SAVINGS
FROM OEM

100%

CUSTOMERS
SATISFACTION

Q

QUALITY

& RELIABILITY

I

INVENTORY

& CONTROL

P

PRICING

& DELIVERY

AIR CYCLE MACHINE

PMA PRODUCT CATALOG • 2022

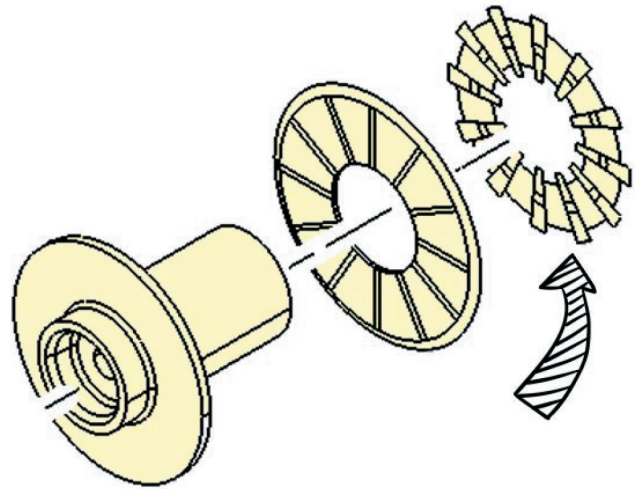
BOEING 737NG SERIES

X 2206400-1 THRU 2206400-2



X = Applicability

SPRING ASSEMBLY



PMA PN
AVUS2207334-1

OEM PN
2207334-1

DRAMATIC COST SAVINGS
FROM OEM

100%

CUSTOMERS
SATISFACTION

Q

QUALITY

& RELIABILITY

I

INVENTORY

& CONTROL

P

PRICING

& DELIVERY

AIR CYCLE MACHINE

PMA PRODUCT CATALOG • 2022

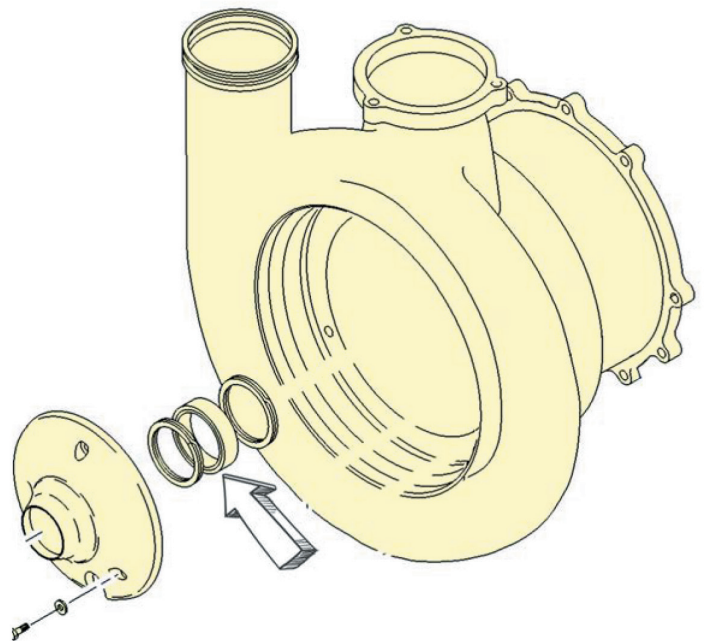
BOEING 737NG SERIES

X 2206400-1 THRU 2206400-2



X = Applicability

SEAL



PMA PN
AVUS2205783-1

OEM PN
2205783-1

DRAMATIC COST SAVINGS
FROM OEM

100%

CUSTOMERS
SATISFACTION

Q

QUALITY

& RELIABILITY

I

INVENTORY

& CONTROL

P

PRICING

& DELIVERY

AIR CYCLE MACHINE

PMA PRODUCT CATALOG • 2022

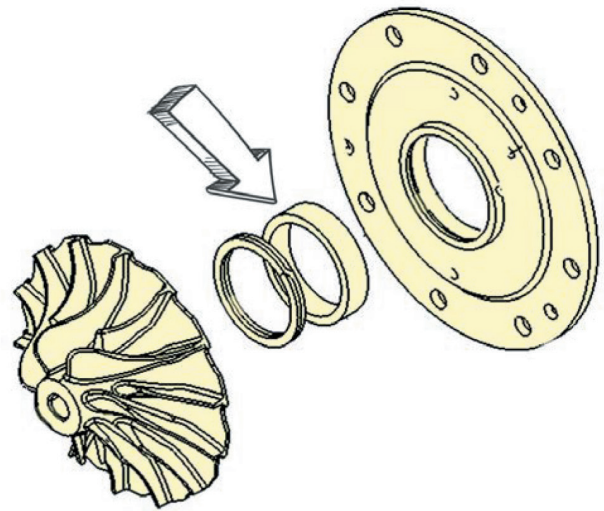
BOEING 737NG SERIES

X 2206400-1 THRU 2206400-2



X = Applicability

SEAL



PMA PN
AVUS2205783-2

OEM PN
2205783-2

DRAMATIC COST SAVINGS
FROM OEM

100%

CUSTOMERS
SATISFACTION

Q

QUALITY

& RELIABILITY

I

INVENTORY

& CONTROL

P

PRICING

& DELIVERY

AIR CYCLE MACHINE

PMA PRODUCT CATALOG • 2022

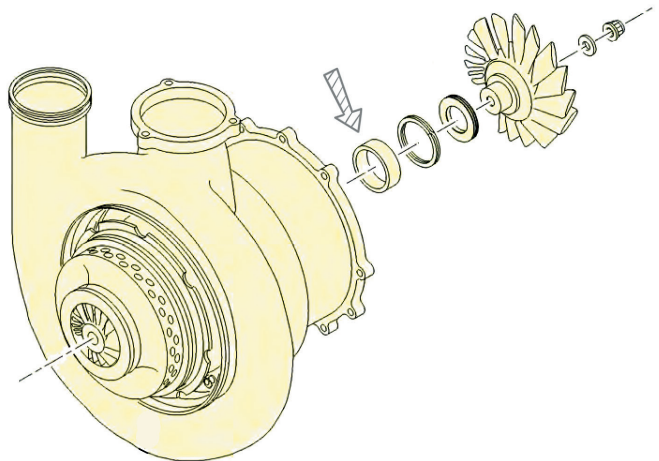
BOEING 737NG SERIES

X 2206400-1 THRU 2206400-2



X = Applicability

SEAL FAN



PMA PN
AVUS2205793-1

OEM PN
2205793-1

DRAMATIC COST SAVINGS
FROM OEM

100%

CUSTOMERS
SATISFACTION

Q

QUALITY

& RELIABILITY

I

INVENTORY

& CONTROL

P

PRICING

& DELIVERY

AIR CYCLE MACHINE

PMA PRODUCT CATALOG • 2022

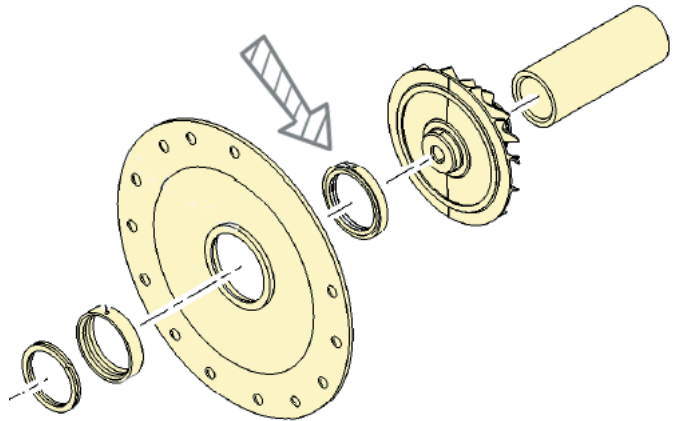
BOEING 737NG SERIES

X 2206400-1 THRU 2206400-2



X = Applicability

SEAL COMPRESSOR



PMA PN
AVUS2205956-1

OEM PN
2205956-1

DRAMATIC COST SAVINGS
FROM OEM

100%
CUSTOMERS
SATISFACTION

Q

QUALITY

& RELIABILITY

I

INVENTORY

& CONTROL

P

PRICING

& DELIVERY

AIR CYCLE MACHINE

PMA PRODUCT CATALOG • 2022

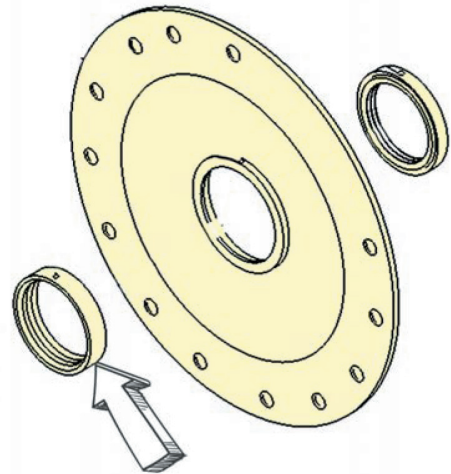
BOEING 737NG SERIES

X 2206400-1 THRU 2206400-2



X = Applicability

SEAL BEARING



PMA PN
AVUS2205957-1

OEM PN
2205957-1

DRAMATIC COST SAVINGS
FROM OEM

100%

CUSTOMERS
SATISFACTION

Q

QUALITY

& RELIABILITY

I

INVENTORY

& CONTROL

P

PRICING

& DELIVERY